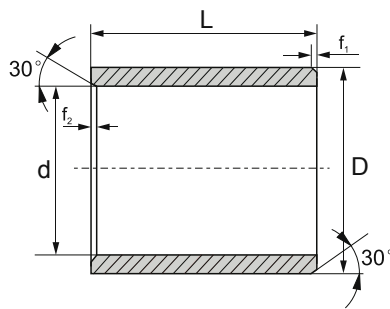


# YCB030 轴套 Cylindrical Bushes



●摩擦面为树脂层。



推荐安装公差 Recommend fitting tolerance:

座孔 Housing: H7

轴 Shaft: h9

订货型号 Order:

YCB030 - 0608 - 06

                  d   D   L

材料 Material

d	f <sub>1</sub>	f <sub>2</sub>
d ≤ 10	0.5	0.5
10 < d ≤ 30	0.8	0.5
30 < d	1.2	0.5

单位 Unit: mm

型号 Parts No.	d mm	d-公差 After fitting mm	D mm	L(h13) mm
YCB030-0304-05	3	+0.014 +0.054	4.5	5
YCB030-0304-06	3	+0.014 +0.054	4.5	6
YCB030-0305-05	3	+0.014 +0.054	5.5	5
YCB030-0405-04	4	+0.020 +0.068	5.5	4
YCB030-0405-06	4	+0.020 +0.068	5.5	6
YCB030-0406-06	4	+0.020 +0.068	6	6
YCB030-0507-05	5	+0.020 +0.068	7	5
YCB030-0507-08	5	+0.020 +0.068	7	8
YCB030-0507-10	5	+0.020 +0.068	7	10
YCB030-0507-18	5	+0.020 +0.068	7	18
YCB030-0608-04	6	+0.020 +0.068	8	4
YCB030-0608-05	6	+0.020 +0.068	8	5
YCB030-0608-06	6	+0.020 +0.068	8	6
YCB030-0608-08	6	+0.020 +0.068	8	8
YCB030-0608-10	6	+0.020 +0.068	8	10
YCB030-0810-05	8	+0.025 +0.083	10	5
YCB030-0810-06	8	+0.025 +0.083	10	6
YCB030-0810-08	8	+0.025 +0.083	10	8
YCB030-0810-10	8	+0.025 +0.083	10	10
YCB030-0810-12	8	+0.025 +0.083	10	12
YCB030-0810-15	8	+0.025 +0.083	10	15
YCB030-1012-04	10	+0.025 +0.083	12	4
YCB030-1012-05	10	+0.025 +0.083	12	5
YCB030-1012-06	10	+0.025 +0.083	12	6
YCB030-1012-07	10	+0.025 +0.083	12	6
YCB030-1012-08	10	+0.025 +0.083	12	8

型号 Parts No.	d mm	d-公差 After fitting mm	D mm	L(h13) mm
YCB030-1012-09	10	+0.025 +0.083	12	6
YCB030-1012-10	10	+0.025 +0.083	12	10
YCB030-1012-12	10	+0.025 +0.083	12	12
YCB030-1012-15	10	+0.025 +0.083	12	15
YCB030-1012-18	10	+0.025 +0.083	12	18
YCB030-1012-20	10	+0.025 +0.083	12	20
YCB030-1214-04	12	+0.032 +0.102	14	6
YCB030-1214-06	12	+0.032 +0.102	14	6
YCB030-1214-08	12	+0.032 +0.102	14	8
YCB030-1214-09	12	+0.032 +0.102	14	9
YCB030-1214-10	12	+0.032 +0.102	14	10
YCB030-1214-12	12	+0.032 +0.102	14	12
YCB030-1214-14	12	+0.032 +0.102	14	12
YCB030-1214-15	12	+0.032 +0.102	14	15
YCB030-1214-20	12	+0.032 +0.102	14	20
YCB030-1214-25	12	+0.032 +0.102	14	25
YCB030-1315-07	13	+0.032 +0.102	15	7
YCB030-1315-10	13	+0.032 +0.102	15	10
YCB030-1315-15	13	+0.032 +0.102	15	15
YCB030-1416-08	14	+0.032 +0.102	16	8
YCB030-1416-10	14	+0.032 +0.102	16	10
YCB030-1416-15	14	+0.032 +0.102	16	15
YCB030-1416-20	14	+0.032 +0.102	16	20
YCB030-1416-25	14	+0.032 +0.102	16	25
YCB030-1517-10	15	+0.032 +0.102	17	10
YCB030-1517-12	15	+0.032 +0.102	17	12

# YCB030 轴套 Cylindrical Bushes

型号 Parts No.	d mm	d-公差 After fitting mm	D mm	L(h13) mm	型号 Parts No.	d mm	d-公差 After fitting mm	D mm	L(h13) mm
YCB030-1517-15	15	+0.032 +0.102	17	15	YCB030-2832-25	28	+0.040 +0.124	32	25
YCB030-1517-17	15	+0.032 +0.102	17	17	YCB030-2832-30	28	+0.040 +0.124	32	30
YCB030-1517-20	15	+0.032 +0.102	17	20	YCB030-3034-15	30	+0.040 +0.124	34	15
YCB030-1517-25	15	+0.032 +0.102	17	25	YCB030-3034-20	30	+0.040 +0.124	34	20
YCB030-1618-10	16	+0.032 +0.102	18	10	YCB030-3034-25	30	+0.040 +0.124	34	25
YCB030-1618-12	16	+0.032 +0.102	18	12	YCB030-3034-30	30	+0.040 +0.124	34	30
YCB030-1618-15	16	+0.032 +0.102	18	15	YCB030-3034-40	30	+0.040 +0.124	34	40
YCB030-1618-20	16	+0.032 +0.102	18	20	YCB030-3236-20	32	+0.050 +0.150	36	20
YCB030-1618-25	16	+0.032 +0.102	18	25	YCB030-3236-25	32	+0.050 +0.150	36	25
YCB030-1820-10	18	+0.032 +0.102	20	10	YCB030-3236-30	32	+0.050 +0.150	36	30
YCB030-1820-12	18	+0.032 +0.102	20	12	YCB030-3236-40	32	+0.050 +0.150	36	40
YCB030-1820-15	18	+0.032 +0.102	20	15	YCB030-3539-20	35	+0.050 +0.150	39	20
YCB030-1820-20	18	+0.032 +0.102	20	20	YCB030-3539-25	35	+0.050 +0.150	39	25
YCB030-1820-25	18	+0.032 +0.102	20	25	YCB030-3539-30	35	+0.050 +0.150	39	30
YCB030-2022-12	20	+0.040 +0.124	22	12	YCB030-3539-40	35	+0.050 +0.150	39	40
YCB030-2022-15	20	+0.040 +0.124	22	15	YCB030-3539-50	35	+0.050 +0.150	39	50
YCB030-2022-28	20	+0.040 +0.124	22	28	YCB030-4044-20	40	+0.050 +0.150	44	20
YCB030-2023-10	20	+0.040 +0.124	23	10	YCB030-4044-30	40	+0.050 +0.150	44	30
YCB030-2023-15	20	+0.040 +0.124	23	15	YCB030-4044-40	40	+0.050 +0.150	44	40
YCB030-2023-20	20	+0.040 +0.124	23	20	YCB030-4044-50	40	+0.050 +0.150	44	50
YCB030-2023-23	20	+0.040 +0.124	23	23	YCB030-4550-30	45	+0.050 +0.150	50	30
YCB030-2023-25	20	+0.040 +0.124	23	25	YCB030-4550-40	45	+0.050 +0.150	50	40
YCB030-2023-30	20	+0.040 +0.124	23	30	YCB030-4550-50	45	+0.050 +0.150	50	50
YCB030-2225-15	22	+0.040 +0.124	25	15	YCB030-5055-20	50	+0.050 +0.150	55	20
YCB030-2225-20	22	+0.040 +0.124	25	20	YCB030-5055-25	50	+0.050 +0.150	55	25
YCB030-2225-25	22	+0.040 +0.124	25	25	YCB030-5055-30	50	+0.050 +0.150	55	30
YCB030-2225-30	22	+0.040 +0.124	25	30	YCB030-5055-40	50	+0.050 +0.150	55	40
YCB030-2528-10	25	+0.040 +0.124	28	10	YCB030-5055-50	50	+0.050 +0.150	55	50
YCB030-2528-12	25	+0.040 +0.124	28	12	YCB030-5560-40	55	+0.060 +0.180	60	40
YCB030-2528-15	25	+0.040 +0.124	28	15	YCB030-5560-50	55	+0.060 +0.180	60	50
YCB030-2528-20	25	+0.040 +0.124	28	20	YCB030-5560-60	55	+0.060 +0.180	60	60
YCB030-2528-25	25	+0.040 +0.124	28	25	YCB030-6065-30	60	+0.060 +0.180	65	30
YCB030-2528-30	25	+0.040 +0.124	28	30	YCB030-6065-40	60	+0.060 +0.180	65	40
YCB030-2832-15	28	+0.040 +0.124	32	15	YCB030-6065-50	60	+0.060 +0.180	65	50
YCB030-2832-20	28	+0.040 +0.124	32	20	YCB030-7580-40	75	+0.060 +0.180	80	40