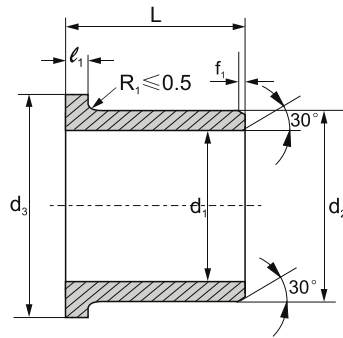


# YCB030F 法兰轴套 Flanged bushes



推荐安装公差 Recommend fitting tolerance:

座孔 Housing: H7

轴 Shaft: h9

订货型号 Order:

YCB030F-0608-06

材料 Material  
 翻边轴套 Flange bushes

d	f <sub>1</sub>
d ≤ 10	0.5
10 < d ≤ 30	0.8
30 < d	1.2

单位 Unit: mm

型号 Parts No.	d <sub>1</sub> mm	d <sub>1</sub> -公差 After fitting mm	d <sub>2</sub> mm	d <sub>3</sub> (d13) mm	L(h13) mm	l-0.14 mm
YCB030F-0304-05	3	+0.014 +0.054	4.5	7.5	5	0.75
YCB030F-0405-04	4	+0.020 +0.068	5.5	9.5	4	0.75
YCB030F-0405-06	4	+0.020 +0.068	5.5	9.5	6	0.75
YCB030F-0507-04	5	+0.020 +0.068	7	11	4	1
YCB030F-0507-05	5	+0.020 +0.068	7	11	5	1
YCB030F-0608-04	6	+0.020 +0.068	8	12	4	1
YCB030F-0608-05	6	+0.020 +0.068	8	12	5	1
YCB030F-0608-06	6	+0.020 +0.068	8	12	6	1
YCB030F-0608-08	6	+0.020 +0.068	8	12	8	1
YCB030F-0608-10	6	+0.020 +0.068	8	12	10	1
YCB030F-0810-05	8	+0.025 +0.083	10	15	5	1
YCB030F-0810-07	8	+0.025 +0.083	10	15	7	1
YCB030F-0810-09	8	+0.025 +0.083	10	15	9	1
YCB030F-0810-10	8	+0.025 +0.083	10	15	10	1
YCB030F-0810-12	8	+0.025 +0.083	10	15	12	1
YCB030F-1012-05	10	+0.025 +0.083	12	18	5	1
YCB030F-1012-06	10	+0.025 +0.083	12	18	6	1
YCB030F-1012-07	10	+0.025 +0.083	12	18	7	1
YCB030F-1012-08	10	+0.025 +0.083	12	18	8	1
YCB030F-1012-09	10	+0.025 +0.083	12	18	9	1
YCB030F-1012-10	10	+0.025 +0.083	12	18	10	1
YCB030F-1012-12	10	+0.025 +0.083	12	18	12	1
YCB030F-1012-15	10	+0.025 +0.083	12	18	15	1
YCB030F-1012-17	10	+0.025 +0.083	12	18	17	1
YCB030F-1214-04	12	+0.032 +0.102	14	20	4	1
YCB030F-1214-05	12	+0.032 +0.102	14	20	5	1
YCB030F-1214-06	12	+0.032 +0.102	14	20	6	1

型号 Parts No.	d <sub>1</sub> mm	d <sub>1</sub> -公差 After fitting mm	d <sub>2</sub> mm	d <sub>3</sub> (d13) mm	L(h13) mm	l-0.14 mm
YCB030F-1214-07	12	+0.032 +0.102	14	20	7	1
YCB030F-1214-09	12	+0.032 +0.102	14	20	9	1
YCB030F-1214-10	12	+0.032 +0.102	14	20	10	1
YCB030F-1214-12	12	+0.032 +0.102	14	20	12	1
YCB030F-1214-13	12	+0.032 +0.102	14	20	13	1
YCB030F-1214-15	12	+0.032 +0.102	14	20	15	1
YCB030F-1214-17	12	+0.032 +0.102	14	20	17	1
YCB030F-1214-20	12	+0.032 +0.102	14	20	20	1
YCB030F-1416-06	14	+0.032 +0.102	16	22	6	1
YCB030F-1416-08	14	+0.032 +0.102	16	22	8	1
YCB030F-1416-10	14	+0.032 +0.102	16	22	10	1
YCB030F-1416-12	14	+0.032 +0.102	16	22	12	1
YCB030F-1416-17	14	+0.032 +0.102	16	22	17	1
YCB030F-1517-05	15	+0.032 +0.102	17	23	5	1
YCB030F-1517-09	15	+0.032 +0.102	17	23	9	1
YCB030F-1517-12	15	+0.032 +0.102	17	23	12	1
YCB030F-1517-17	15	+0.032 +0.102	17	23	17	1
YCB030F-1517-20	15	+0.032 +0.102	17	23	20	1
YCB030F-1618-09	16	+0.032 +0.102	18	24	9	1
YCB030F-1618-12	16	+0.032 +0.102	18	24	12	1
YCB030F-1618-17	16	+0.032 +0.102	18	24	17	1
YCB030F-1820-06	18	+0.032 +0.102	20	26	6	1
YCB030F-1820-12	18	+0.032 +0.102	20	26	12	1
YCB030F-1820-17	18	+0.032 +0.102	20	26	17	1
YCB030F-1820-20	18	+0.032 +0.102	20	26	20	1
YCB030F-2023-11	20	+0.040 +0.124	23	30	11	1.5
YCB030F-2023-115	20	+0.040 +0.124	23	30	11.5	1.5

# YCB030F 法兰轴套 Flanged bushes

型号 Parts No.	d <sub>1</sub> mm	d <sub>1</sub> -公差 After fitting mm	d <sub>2</sub> mm	d <sub>3</sub> (d13) mm	L(h13) mm	l-0.14 mm
YCB030F-2023-16	20	+0.040 +0.124	23	30	16	1.5
YCB030F-2023-165	20	+0.040 +0.124	23	30	16.5	1.5
YCB030F-2023-21	20	+0.040 +0.124	23	30	21	1.5
YCB030F-2023-215	20	+0.040 +0.124	23	30	21.5	1.5
YCB030F-2225-115	22	+0.040 +0.124	25	32	11.5	1.5
YCB030F-2528-11	25	+0.040 +0.124	28	35	11	1.5
YCB030F-2528-115	25	+0.040 +0.124	28	35	11.5	1.5
YCB030F-2528-16	25	+0.040 +0.124	28	35	16	1.5
YCB030F-2528-165	25	+0.040 +0.124	28	35	16.5	1.5
YCB030F-2528-21	25	+0.040 +0.124	28	35	21	1.5
YCB030F-2528-215	25	+0.040 +0.124	28	35	21.5	1.5
YCB030F-3034-16	30	+0.040 +0.124	34	42	16	2
YCB030F-3034-26	30	+0.040 +0.124	34	42	26	2
YCB030F-3034-32	30	+0.040 +0.124	34	42	32	2
YCB030F-3034-37	30	+0.040 +0.124	34	42	37	2
YCB030F-3236-16	32	+0.050 +0.150	36	40	16	2

型号 Parts No.	d <sub>1</sub> mm	d <sub>1</sub> -公差 After fitting mm	d <sub>2</sub> mm	d <sub>3</sub> (d13) mm	L(h13) mm	l-0.14 mm
YCB030F-3236-26	32	+0.050 +0.150	36	40	26	2
YCB030F-3539-16	35	+0.050 +0.150	39	47	16	2
YCB030F-3539-26	35	+0.050 +0.150	39	47	26	2
YCB030F-3539-36	35	+0.050 +0.150	39	47	36	2
YCB030F-4044-30	40	+0.050 +0.150	44	52	30	2
YCB030F-4044-40	40	+0.050 +0.150	44	52	40	2
YCB030F-4044-50	40	+0.050 +0.150	44	52	50	2
YCB030F-4550-30	45	+0.050 +0.150	50	58	30	2
YCB030F-4550-50	45	+0.050 +0.150	50	58	50	2
YCB030F-5055-20	50	+0.050 +0.150	55	63	20	2
YCB030F-5055-30	50	+0.050 +0.150	55	63	30	2
YCB030F-5055-40	50	+0.050 +0.150	55	63	40	2
YCB030F-5055-50	50	+0.050 +0.150	55	63	50	2
YCB030F-6065-30	60	+0.060 +0.180	65	73	30	2
YCB030F-6065-50	60	+0.060 +0.180	65	73	50	2
YCB030F-100105-100	100	+0.072 +0.212	105	113	100	2.5