

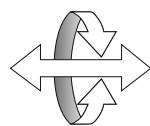
# YCB040 钢背润滑分散型轴承



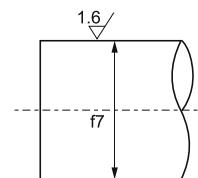
请从适用的内径、外径、长度中选择零件号  
(例) 内径20mm、外径30mm、长度15mm的情况下

## YCB040 - 203015

请指定上述零件号



运动方向  
sliding direction

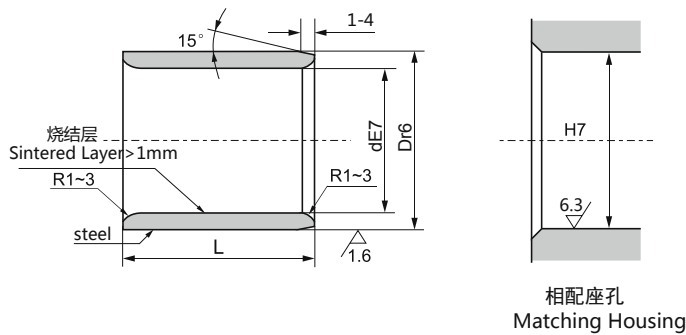


相配轴  
Matching Shaft

单位Unit: mm

内径 Inner diameter		外径 Outer diameter		长度 Length $\begin{smallmatrix} -0.1 \\ -0.3 \end{smallmatrix}$						
Φd	Tolerance	ΦD	Tolerance	10	12	15	16	19	20	25
20	+0.073 +0.040	30	+0.049 +0.028			203015	203016		203020	203025
25	"	33	+0.059 +0.034		253312	253315	253316		253320	253325
25	"	35	"			253515	253516		253520	253525
28	"	38	"						283820	283825
30	"	38	"		303812	303815			303820	303825
30	"	40	"			304015			304020	304025
35	+0.089 +0.050	44	"						354420	354425
35	"	45	"						354520	354525
40	"	50	"			405015			405020	405025
45	"	55	+0.071 +0.041							
45	"	60	"							
50	"	60	"						506020	
50	"	62	"							
50	"	65	"							
55	+0.106 +0.060	70	+0.073 +0.043							
60	"	74	"							
60	"	75	"							
65	"	80	"							
70	"	85	+0.086 +0.051							
70	"	90	"							
75	"	90	"							
75	"	95	"							
80	"	96	"							
80	"	100	"							
90	+0.126 +0.072	110	+0.089 +0.054							
100	"	120	"							

# YCB040 Oil-retaining Bimetallic Bearing



单位Unit: mm

长度 Length $^{+0.1}_{-0.3}$									
30	35	40	50	60	70	80	90	100	120
203030	203035	203040	203050						
253330	253335	253340	253350	253360					
253530	253535	253540	253550	253560					
283830		283840							
303830	303835	303840	303850	303860					
304030	304035	304040	304050	304060					
354430	354435	354440	354450	354460					
354530	354535	354540	354550	354560					
405030	405035	405040	405050	405060	405070	405080			
455530	455535	455540	455550	455560					
456030		456040	456050	456060	456070	456080			
506030	506035	506040	506050	506060	506070	506080			
506230		506240	506250	506260	506270				
506530		506540	506550	506560	506570	506580		5065100	
557030		557040	557050	557060	557070				
607430	607435	607440	607450	607460	607470	607480			
607530	607535	607540	607550	607560	607570	607580		6075100	
		658040	658050	658060	658070	658080			
708530	708535	708540	708550	708560	708570	708580		7085100	
			709050	709060	709070	709080			
			759050	759060	759070	759080		7590100	
						759580		7595100	
		809640	809650	809660	809670	909680		8096100	8096120
		8010040	8010050	8010060	8010070	8010080		80100100	80100120
			9011050	9011060	9011070	90111080	9011090	90110100	90110120
			10012050	10012060	10012070	10012080	10012090	100120100	100120120