

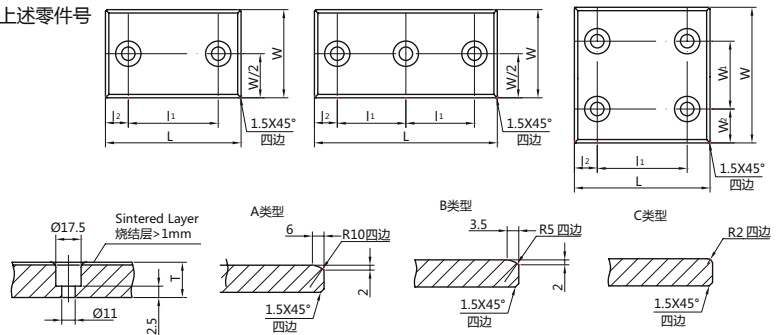
YCB040P20 滑板 Wear Plate (T: 20mm)



请从适用的厚度、宽度、长度中选择零件号
(例) 厚度20mm、宽度28mm、长度75mm的情况下

YCB040P20 - 2875

请指定上述零件号



单位Unit: mm

型号 Parts No.	宽度 Width		长度 Length		厚度 Thickness		Mounting holes Pitch						Number of Screw holes	Chamfered shape
	W	Tol.	L	Tol.	T	Tol.	W1	Tol.	W2	L1	Tol.	L2		
YCB040P20-2875	28	$^{-0.1}_{-0.3}$	75	$^{-0.1}_{-0.3}$	20	± 0.01	-	-	-	45	± 0.2	15	2	C
YCB040P20-28100	28	"	100	"	20	"	-	-	-	50	"	25	"	"
YCB040P20-28150	28	"	150	"	20	"	-	-	-	100	"	25	"	"
YCB040P20-3875	38	"	75	"	20	"	-	-	-	45	"	15	"	"
YCB040P20-38100	38	"	100	"	20	"	-	-	-	50	"	25	"	"
YCB040P20-38150	38	"	150	"	20	"	-	-	-	100	"	25	"	"
YCB040P20-4875	48	"	75	"	20	"	-	-	-	45	"	15	"	B
YCB040P20-48100	48	"	100	"	20	"	-	-	-	50	"	25	"	"
YCB040P20-48125	48	"	125	"	20	"	-	-	-	100	"	25	"	"
YCB040P20-48150	48	"	150	"	20	"	-	-	-	100	"	25	"	"
YCB040P20-48200	48	"	200	"	20	"	-	-	-	100	"	50	"	"
YCB040P20-48250	48	"	250	"	20	"	-	-	-	45	"	25	3	"
YCB040P20-5875	58	"	75	"	20	"	-	-	-	50	"	15	2	"
YCB040P20-58100	58	"	100	"	20	"	-	-	-	75	"	25	"	"
YCB040P20-58150	58	"	150	"	20	"	-	-	-	100	"	25	"	"
YCB040P20-7575B	75	"	75	"	20	"	-	-	-	25	"	25	"	A
YCB040P20-75100B	75	"	100	"	20	"	-	-	-	50	"	25	"	"
YCB040P20-75125	75	"	125	"	20	"	-	-	-	75	"	25	"	"
YCB040P20-75150	75	"	150	"	20	"	-	-	-	100	"	25	"	"
YCB040P20-75200	75	"	200	"	20	"	-	-	-	150	"	25	"	"
YCB040P20-75250	75	"	250	"	20	"	-	-	-	100	"	25	3	"
YCB040P20-75300	75	"	300	"	20	"	-	-	-	100	"	50	"	"
YCB040P20-100100	100	"	100	"	20	"	50	± 0.2	25	50	"	25	4	"
YCB040P20-100125	100	"	125	"	20	"	"	"	"	75	"	25	"	"
YCB040P20-100150	100	"	150	"	20	"	"	"	"	100	"	25	"	"
YCB040P20-100200	100	"	200	"	20	"	"	"	"	150	"	25	"	"
YCB040P20-100250	100	"	250	"	20	"	"	"	"	200	"	25	"	"
YCB040P20-100300	100	"	300	"	20	"	"	"	"	200	"	50	"	"
YCB040P20-125125	125	"	125	"	20	"	"	"	37.5	75	"	25	"	"
YCB040P20-125150	125	"	150	"	20	"	"	"	"	100	"	25	"	"
YCB040P20-125200	125	"	200	"	20	"	"	"	"	150	"	25	"	"
YCB040P20-125250	125	"	250	"	20	"	"	"	"	200	"	25	"	"
YCB040P20-125300	125	"	300	"	20	"	"	"	"	200	"	50	"	"
YCB040P20-150150	150	"	150	"	20	"	100	"	25	100	"	25	"	"
YCB040P20-150200	150	"	200	"	20	"	"	"	"	150	"	25	"	"
YCB040P20-150250	150	"	250	"	20	"	"	"	"	200	"	25	"	"