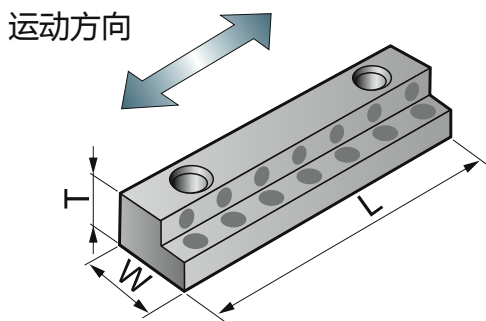


YCB050Q L滑块 Wear plate

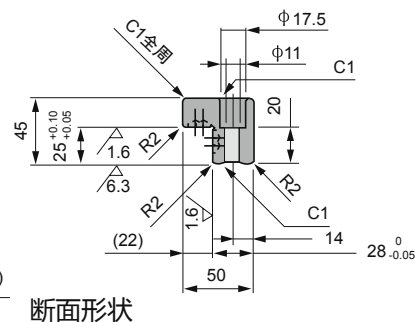
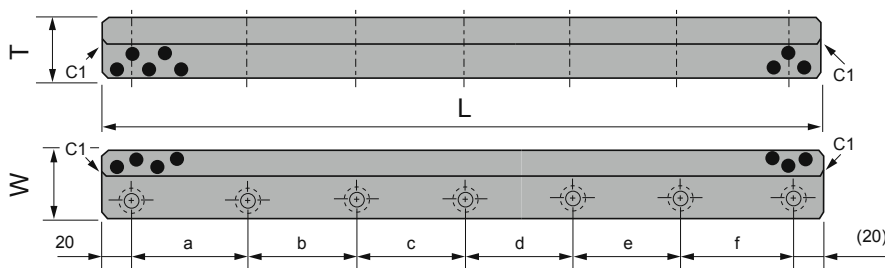


请从适用的长度、宽度、厚度中选择零件号
(例)宽50mm、长度300mm的情况下



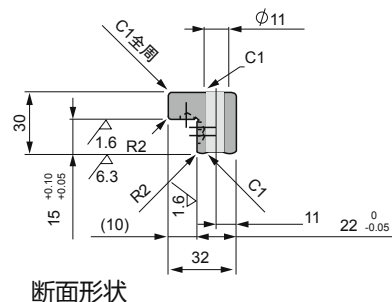
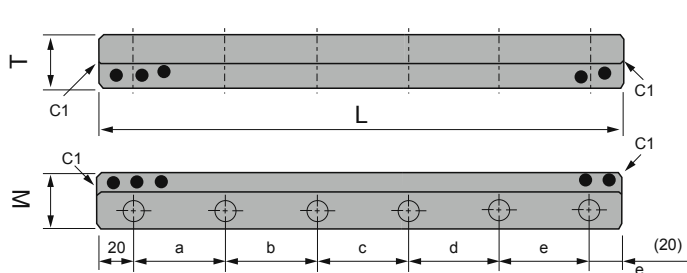
●运动方向为长度方向

●适用于内六角螺栓



单位Unit: mm

型号 Parts No.	宽	长度	厚度	定位孔间隙						定位螺栓	
	W	L	T	a	b	c	d	e	f	种类	个数
YCB050Q-50200A	50	200	45	55	50	55	-	-	-	M10	4
YCB050Q-50250A	"	250	"	70	70	70	"	"	"	"	"
YCB050Q-50300A	"	300	"	65	65	65	65	"	"	"	5
YCB050Q-50350A	"	350	"	80	75	75	80	"	"	"	"
YCB050Q-50500A	"	500	"	"	"	"	75	75	80	"	7

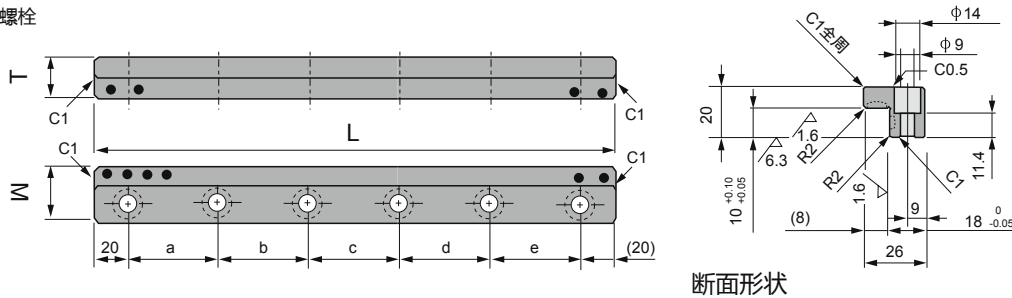


单位Unit: mm

型号 Parts No.	宽	长度	厚度	定位孔间隙					定位螺栓	
	W	L	T	a	b	c	d	e	种类	个数
YCB050Q-32100B	32	100	30	60	-	-	-	-	M10	2
YCB050Q-32150B	"	150	"	55	55	"	"	"	"	3
YCB050Q-32200B	"	200	"	"	50	55	"	"	"	4
YCB050Q-32250B	"	250	"	70	70	50	"	"	"	"
YCB050Q-32400B	"	400	"	75	"	"	70	75	"	6

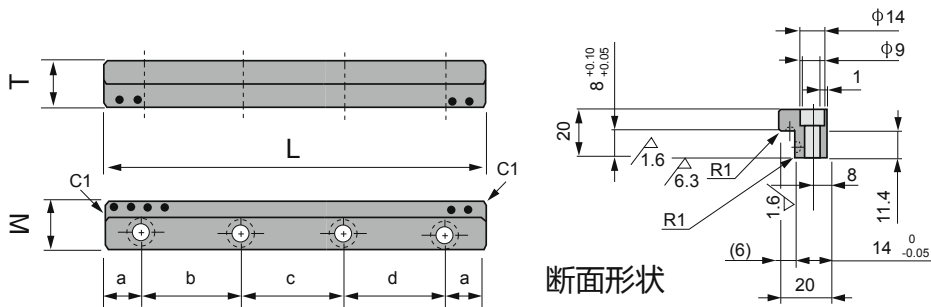
YCB050Q L滑块 Wear plate

●适用于内六角螺栓



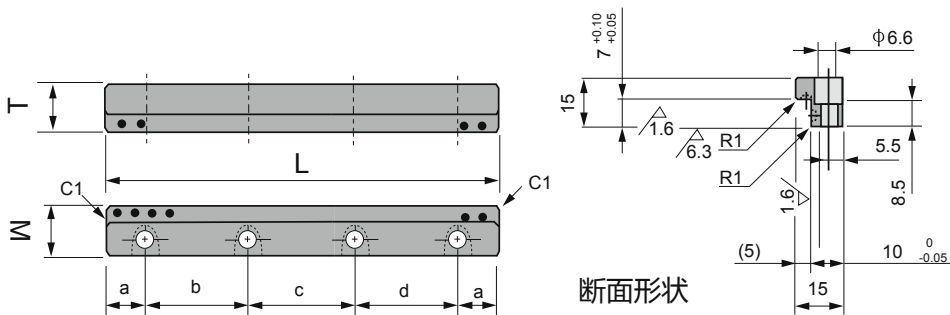
单位Unit: mm

型号 Parts No.	宽	长度	厚度	定位孔间隙					定位螺栓	
	W	L	T	a	b	c	d	e	种类	个数
YCB050Q-26100C	26	100	20	60	-	-	-	-	M8	2
YCB050Q-26150C	"	150	"	55	55	"	"	"	"	3
YCB050Q-26200C	"	200	"	"	50	55	"	"	"	4
YCB050Q-26400C	"	400	"	75	70	70	70	75	"	6



单位Unit: mm

型号 Parts No.	宽	长度	厚度	定位孔间隙				定位螺栓	
	W	L	T	a	b	c	d	种类	个数
YCB050Q-2050	20	50	20	10	30	-	-	M8	2
YCB050Q-20100	"	100	"	20	60	"	"	"	"
YCB050Q-20150	"	150	"	"	55	55	"	"	3
YCB050Q-20200	"	200	"	"	"	50	55	"	4



单位Unit: mm

型号 Parts No.	宽	长度	厚度	定位孔间隙				定位螺栓	
	W	L	T	a	b	c	d	种类	个数
YCB050Q-1500	15	50	15	10	30	-	-	M6	2
YCB050Q-15100	"	100	"	20	60	"	"	"	"
YCB050Q-15150	"	150	"	"	55	55	"	"	3
YCB050Q-15200	"	200	"	"	"	50	55	"	4