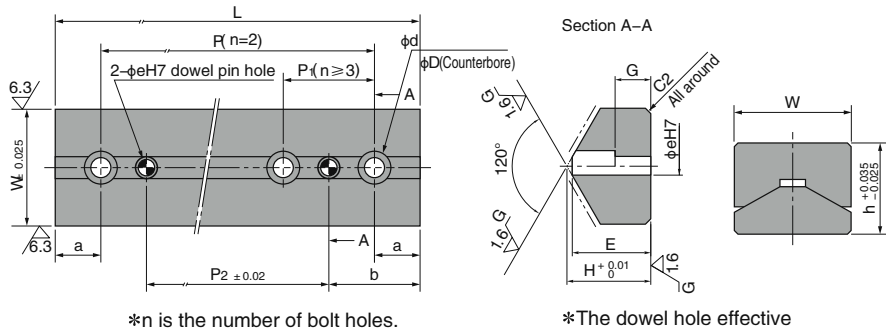


YCB050Y 凸轮行程滑板 Cam Stroke Plate



*n is the number of bolt holes.

*The dowel hole effective depth is 15 mm.

·bolt hole

W	d	D
35	9	14
50-65	11	17.5

·Total height of Combination YCB050X and YCB050Y

W	H
35	35
50	50
65	65

单位Unit: mm

型号 Parts No.	W	L	H	l	l_1	P	P1	n	P2	E	G
YCB050Y	65	100	47	25	50	-	50	2	20	44	20
		150						3	50		
		200						4	100		
		250						5	150		
		300						6	200		
YCB050Y	65	100	30	25	50	-	75	2	20	26	10
		125						-	25		
		150						100	50		
		200						75	100		
		250						-	150		
		300						125	200		