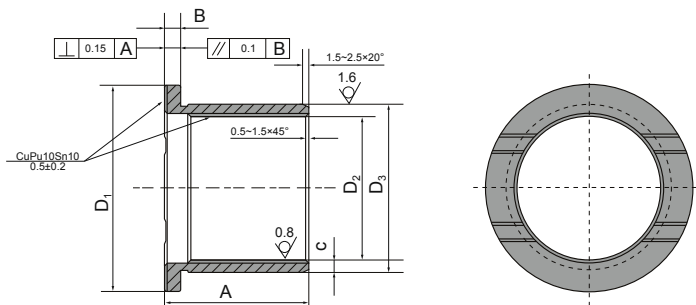


YCB080F 双金属法兰轴套 Bimetal Flange Bushing



单位Unit: mm

D ₁	B	D ₃	D ₂	A	C
42	3.5	37	30	30	3.5
43	2	34	30	28	2
44	3.5	39	32	35	3.5
47	3.5	39	32	50	3.5
48	2	39	35	37	2
52	3	41	35	35	3
55	3.5	42	35	35	3.5
55	3.5	45	38	35	3.5
55	3.5	45	38	40	3.5
60	3	41	35	42	3
60	3	46	40	62	3
63	3.5	47	40	40	3.5
65	3.5	52	45	40	3.5
68	3.5	54	47	35	3.5
70	3.5	54	47	40	3.5
70	3.5	57	50	48	3.5
72	3.5	57	50	45	3.5
72	3.5	57	50	50	3.5
75	3.5	57	50	50	3.5
77	3	60	54	55	3
83	3.5	66	59	53	3.5
85	3.5	65	58	60	3.5
87	3.5	67	60	53	3.5
87	3.5	67	60	60	3.5

D ₁	B	D ₃	D ₂	A	C
87	3.5	67	60	65	3.5
87	4	68	60	60	4
94	3.5	72	65	60	3.5
87	3.5	72	65	65	3.5
87.5	1.95	69.12	65.22	64.5	2
88	3.5	67	60	60	3.5
88	3.5	72	65	65	3.5
92	3.5	77	70	67	3.5
93	3.5	75	68	60	3.5
94	3.5	77	70	70	3.5
95	3.5	77	70	65	3.5
95	4	78	70	70	4
97	3.48	77.14	70.18	62	3.5
97	3.5	82	75	74	3.5
100	5	85	75	70	5
103	3.525	70.8	63.75	73	3.5
105	3.5	82	75	75	3.5
105	3.5	87	80	70	3.5
107	4	83	75	74	4
115	5	100	90	75	5
128	3.8	92.6	85	103	4
108	3.5	72	65	75	3.5
108	3.5	77	70	98	3.5
108	5	80	70	90	5